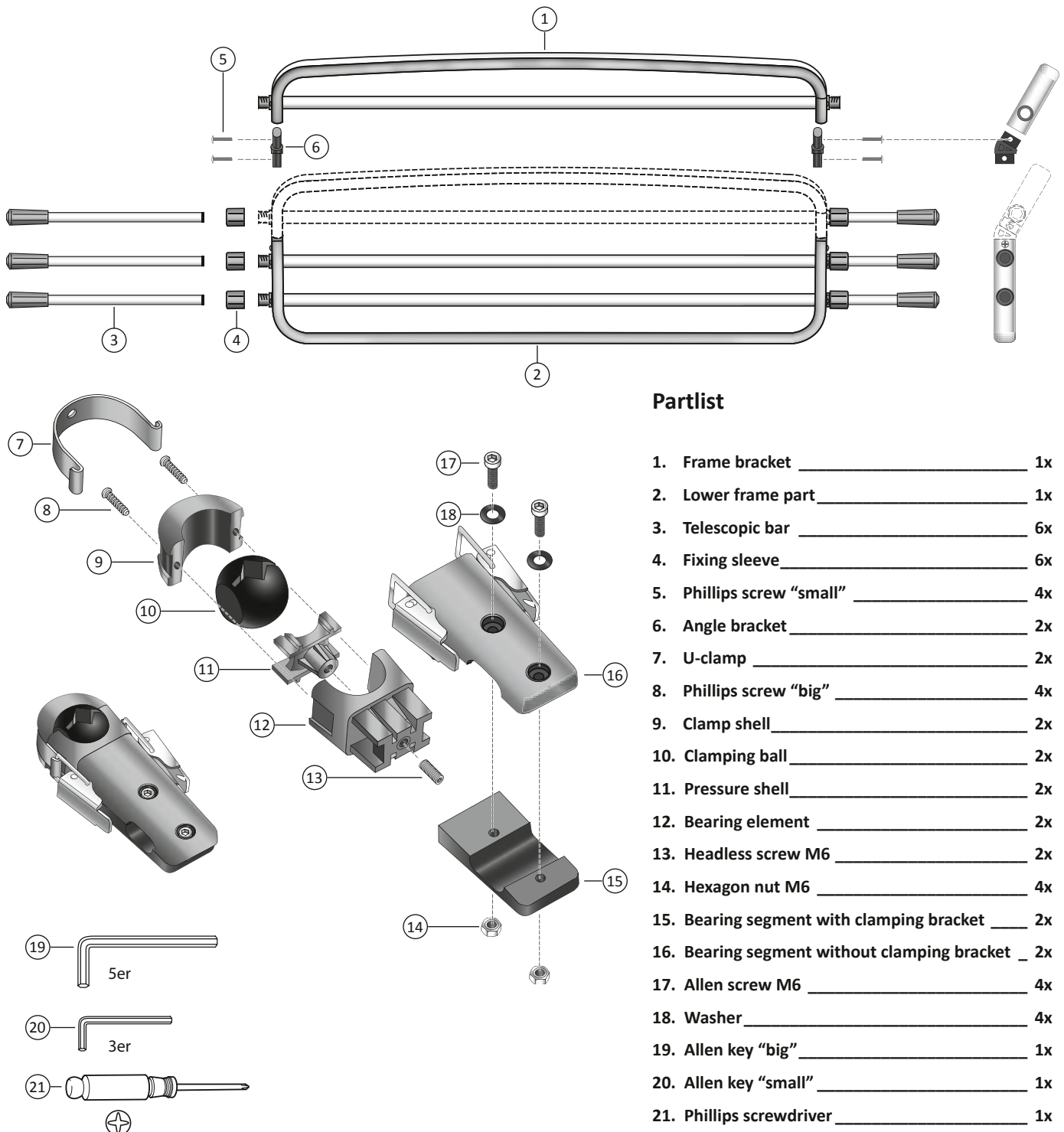


# Mounting Instruction

**Product name** ROADMASTER DELUXE  
**Product designation** Universal luggage and dog guard  
**Parts No.** 10001413  
**Mounting** to the headrest bars  
**Usability** protection of passengers during transport of cargo  
**Type and design** anodised aluminium profiles, powder-coated steel, stainless steel  
**Dimensions** height: 25 cm, width: 95 to 145 cm (telescopic bars)  
**Weight** 2 kg

kleinmetall GmbH  
 Hainstraße 52  
 63526 Erlensee  
 Telefon 06183.91120-0  
 Fax 06183.72152  
 E-Mail info@kleinmetall.de  
 www.kleinmetall.de

Please read these instructions carefully and store them in a safe place.  
 Whenever the guard is used, make sure it is correctly mounted!

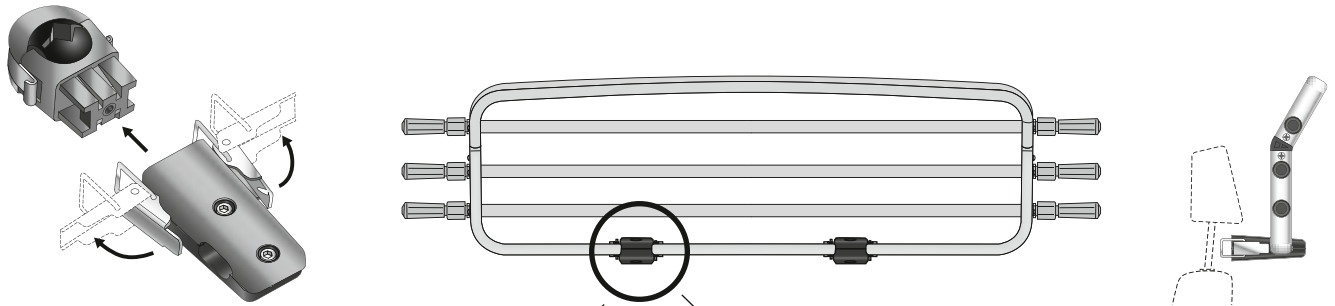


## Partlist

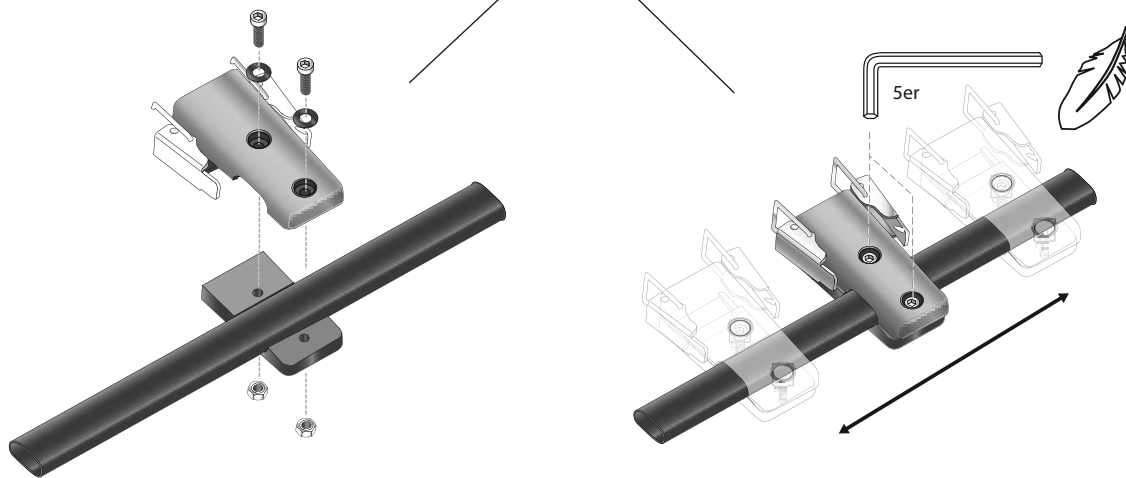
1. Frame bracket	_____	1x
2. Lower frame part	_____	1x
3. Telescopic bar	_____	6x
4. Fixing sleeve	_____	6x
5. Phillips screw "small"	_____	4x
6. Angle bracket	_____	2x
7. U-clamp	_____	2x
8. Phillips screw "big"	_____	4x
9. Clamp shell	_____	2x
10. Clamping ball	_____	2x
11. Pressure shell	_____	2x
12. Bearing element	_____	2x
13. Headless screw M6	_____	2x
14. Hexagon nut M6	_____	4x
15. Bearing segment with clamping bracket	_____	2x
16. Bearing segment without clamping bracket	_____	2x
17. Allen screw M6	_____	4x
18. Washer	_____	4x
19. Allen key "big"	_____	1x
20. Allen key "small"	_____	1x
21. Phillips screwdriver	_____	1x

# Mounting Instruction

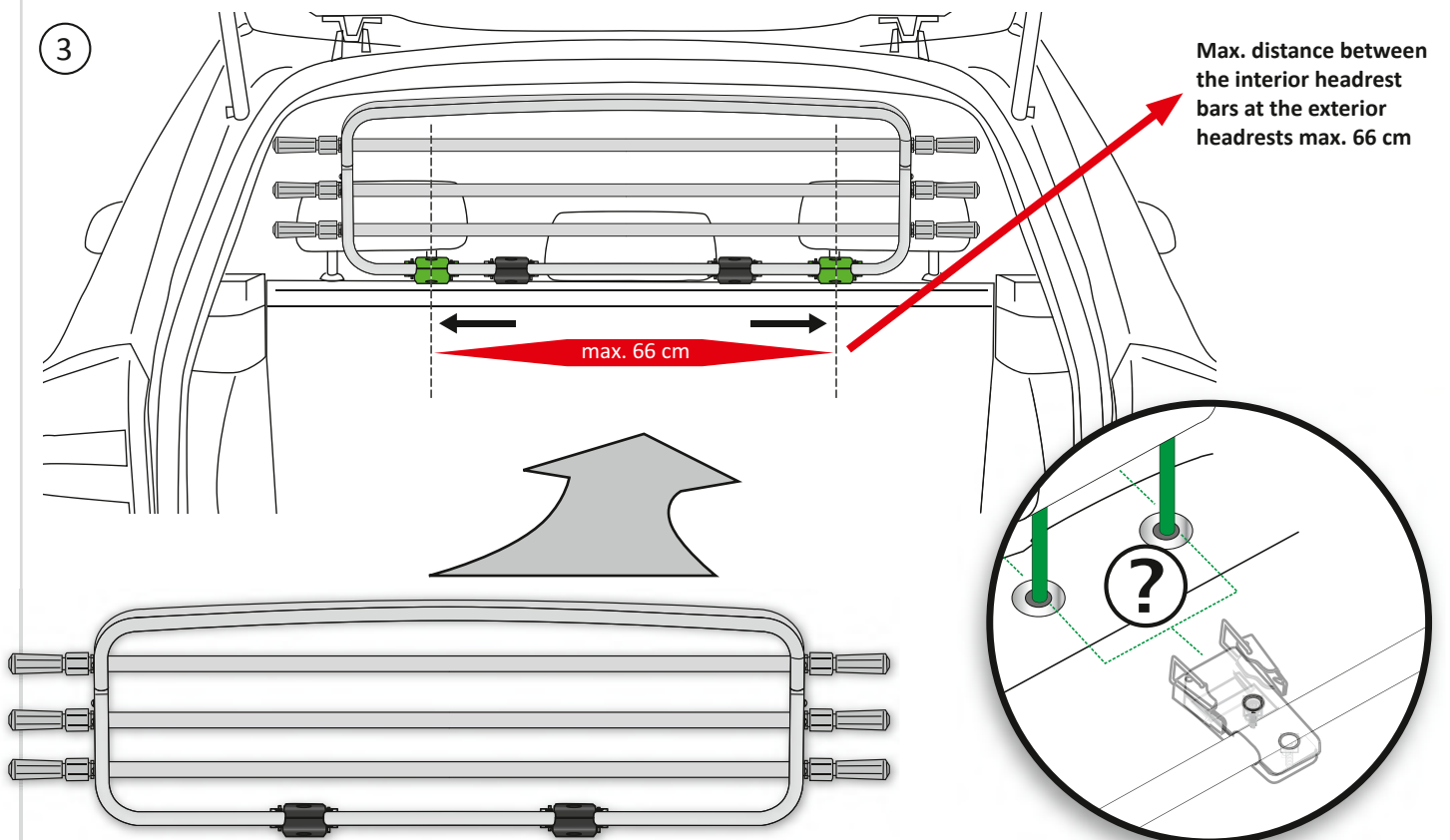
1



2

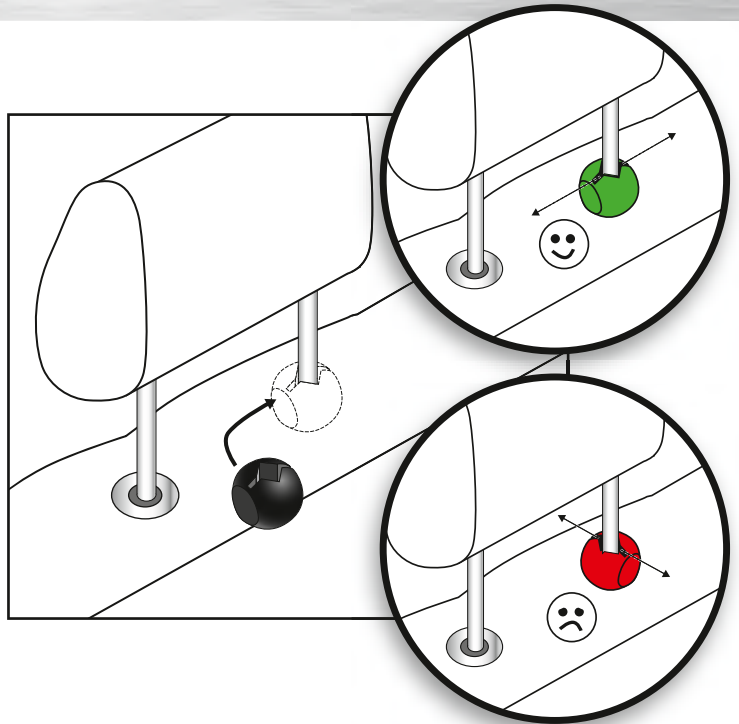
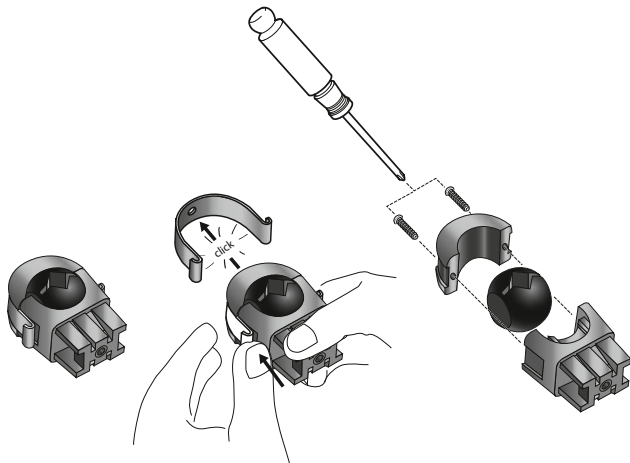


3

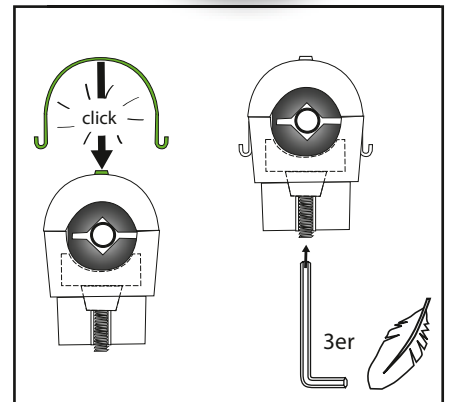
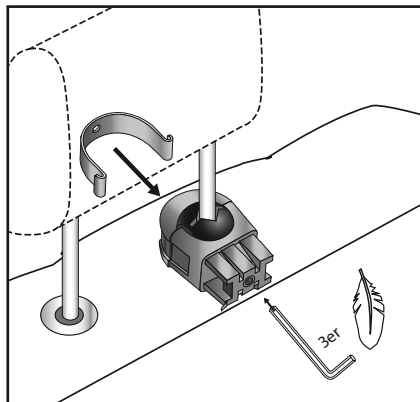
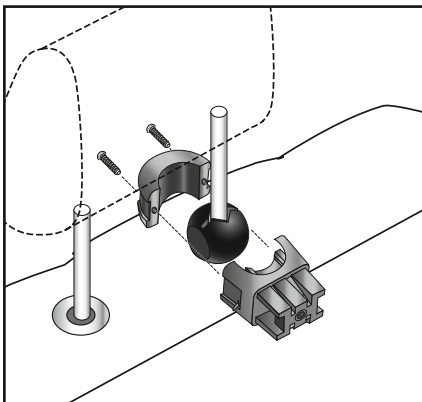


# Mounting Instruction

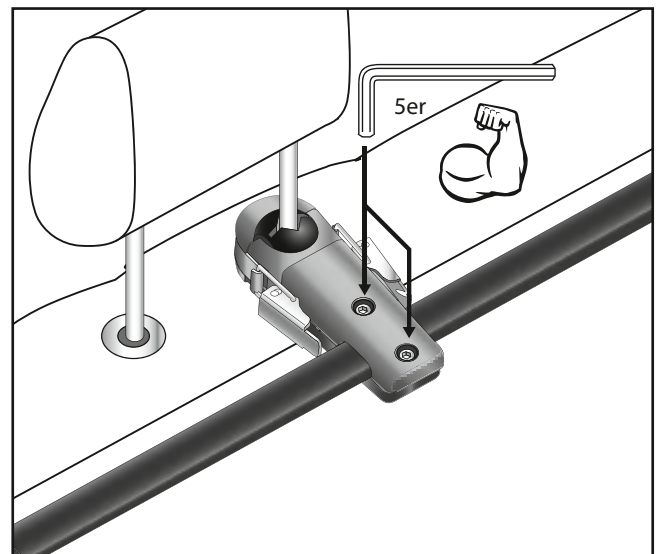
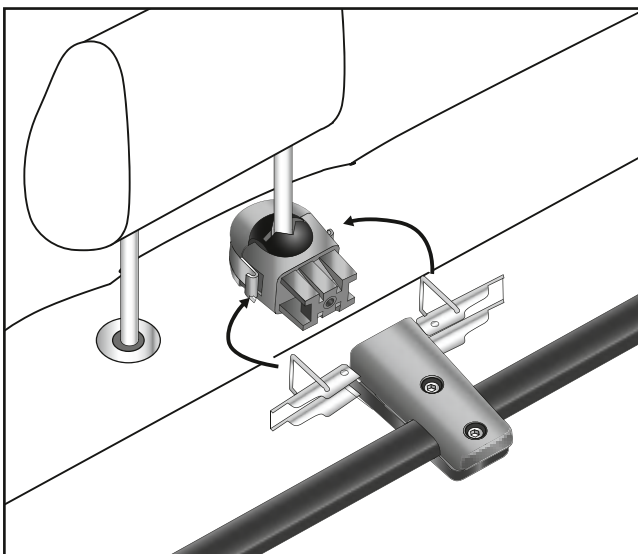
4



5

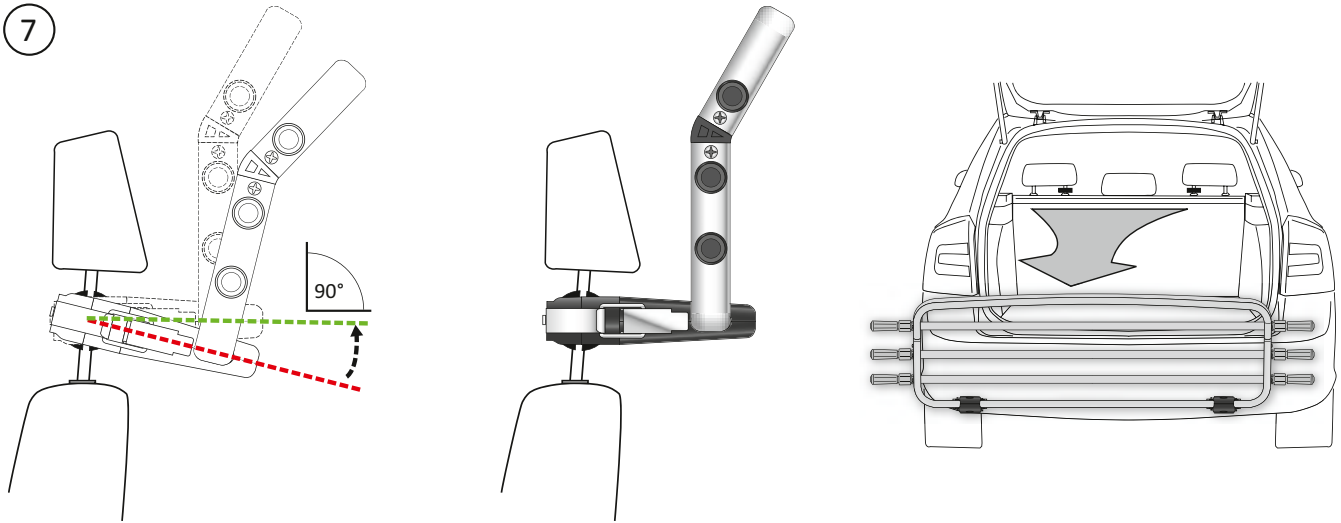


6

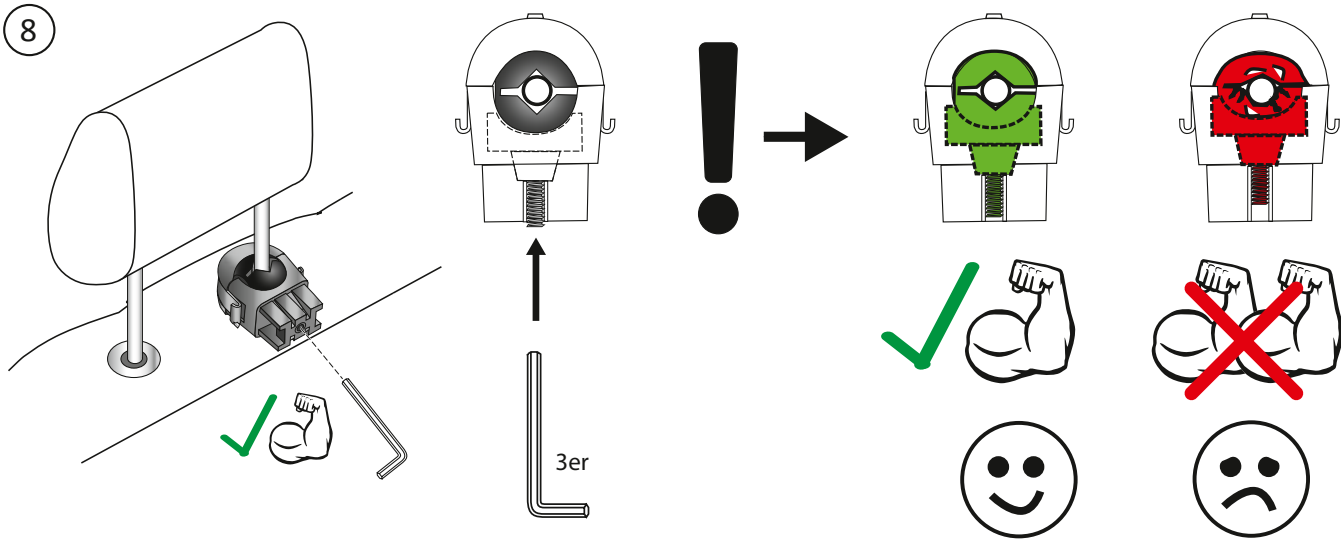


# Mounting Instruction

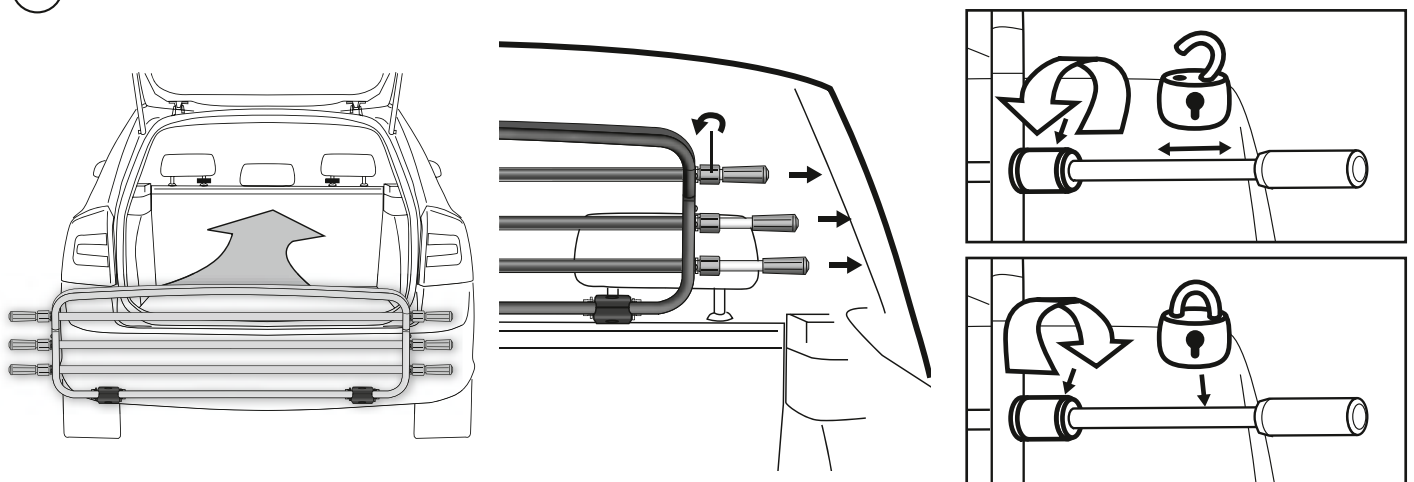
7



8

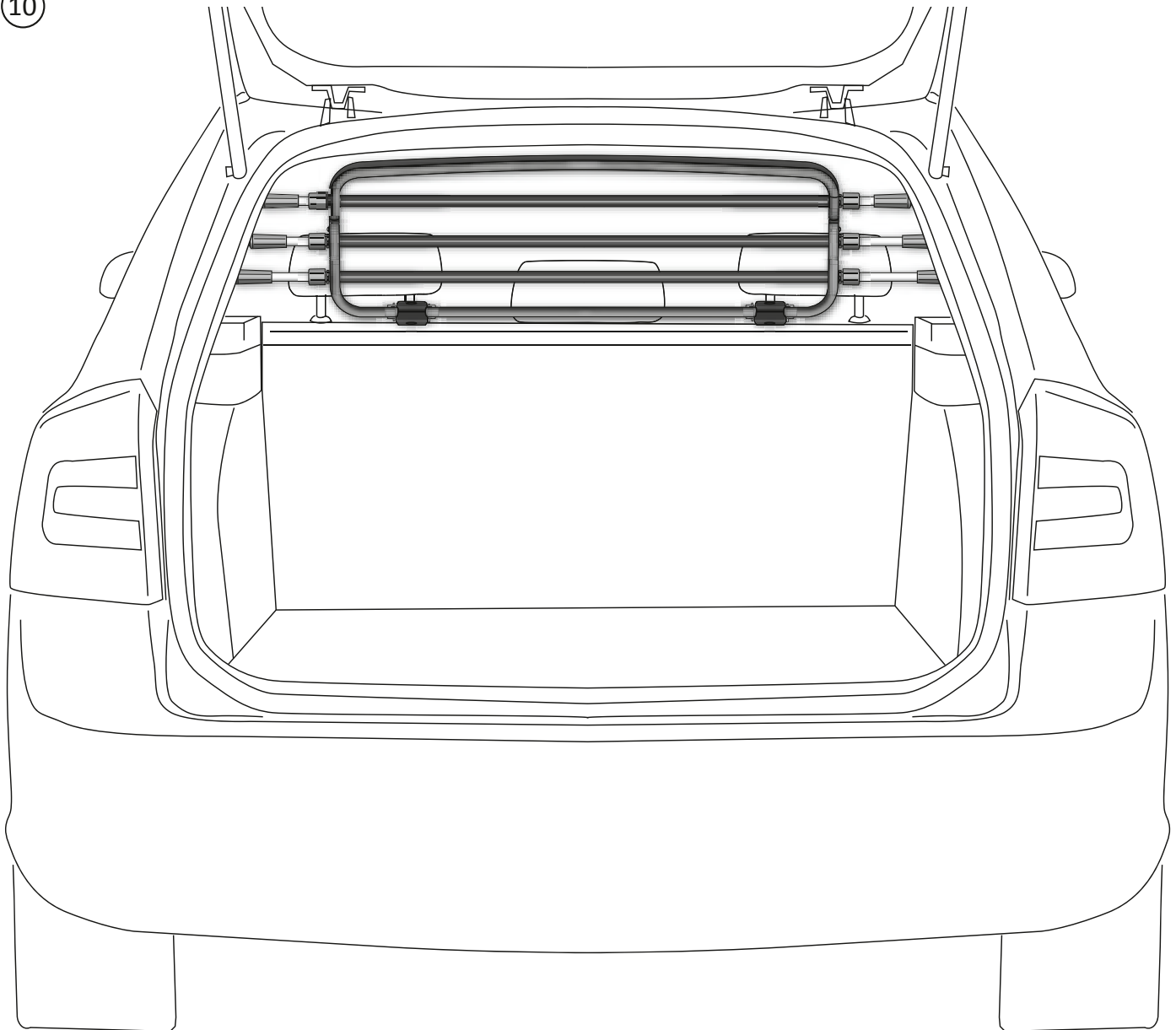


9



# Mounting Instruction

10



#### General Notes:

Make sure that the guard is centrally positioned in the vehicle and that all the mounting parts are fixed tight. Take care that the headrests are fixed properly. Check that the backrest has engaged before driving. In some vehicles it is no longer possible to install the roll cover together with the dog guard. If the grid is not needed, it can be easily removed from the headrest bearing elements by loosening the lateral clamping bracket (quick release). **Max. distance between the interior headrest bars at the exterior headrests max. 66 cm.**

#### Safety instructions:

Always secure heavy load with additional tensioning straps. Before travelling, check all the mounting parts for tight fit and damage. The transport of people behind the guard is prohibited. Check all screw fittings from time to time and retighten if necessary. Adjust all the seats where the guard is mounted to the same inclination angle so that the grid does not twist. Never leave pets alone and unattended in the car.

#### Cleaning instructions:

Use neutral soap lye to clean the guard and all the mounting parts especially from dog saliva and dog hair from time to time.

#### Maintenance instructions:

Carry out visual inspections on the guard in regular intervals and replace damaged parts immediately if necessary.